



Model Number

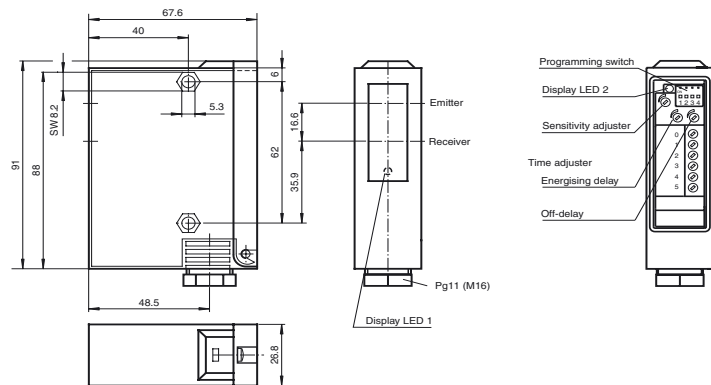
RLK24-54/104/116

Retro-reflective sensor with polarization filter
with terminal compartment

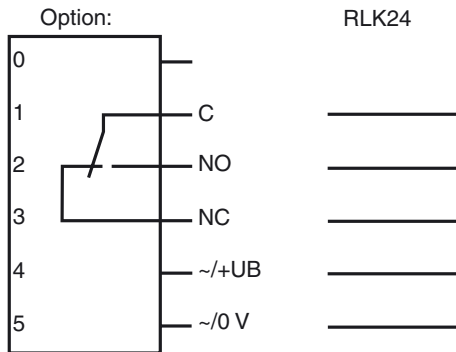
Features

- Detection range up to 10 m
- Sturdy plastic housing
- Sensitivity adjuster and light-/dark switch
- Pre-fault indication and output
- 4 programmable time functions
- Operating voltage 10;V ...;30;V;DC or 12;V ...;240;V;AC/DC

Dimensions



Electrical connection



Release date: 2009-08-18 16:38 Date of issue: 2009-08-18 T2175_ENG.xml

Technical data**General specifications**

Effective detection range	0 ... 6000 mm
Reflector distance	0 ... 6000 mm
Threshold detection range	10 m (with C110-2 reflector)
Light source	LED
Approvals	CE
USA	UL
Kanada	CSA
Multiple arrangement	possible
Light type	red, modulated light
Diameter of the light spot	approx. 150 mm at 6000 mm detection range
Angle of divergence	approx. 1.4 °
Ambient light limit	80000 Lux

Indicators/operating means

Function display	LED yellow, frontal and in the terminal compartment, lit up when light beam is free, flashing when falling short of the stability control
Operating elements	Programming switch for light/dark ON, timer functions
Operating elements	2 potentiometers for timer functions
Operating elements	1 Potentiometer as sensitivity adjuster

Electrical specifications

Operating voltage	U_B	12 ... 240 V AC/DC
Power consumption	P_0	3 VA

Output

Switching type	light/dark switching	
Signal output	1 relay output, 1 alternator	
Switching voltage	max. 240 V AC	
Switching current	max. 2 A	
Switching frequency	f	12 Hz
Response time	40 ms	
Timer function	GAN, GAB, IAB, GAN-GAB, programmable adjustment range 0.1 ...10 s	

Standard conformity

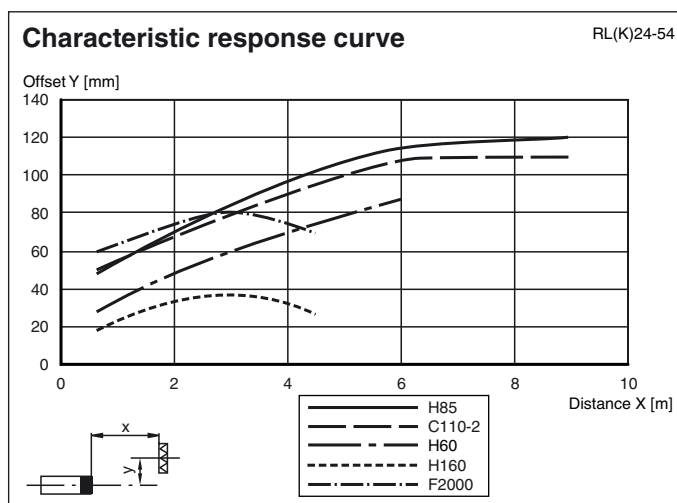
Standards	EN 60947-5-2
-----------	--------------

Ambient conditions

Ambient temperature	-20 ... 60 °C (253 ... 333 K)
Storage temperature	-20 ... 75 °C (253 ... 348 K)

Mechanical specifications

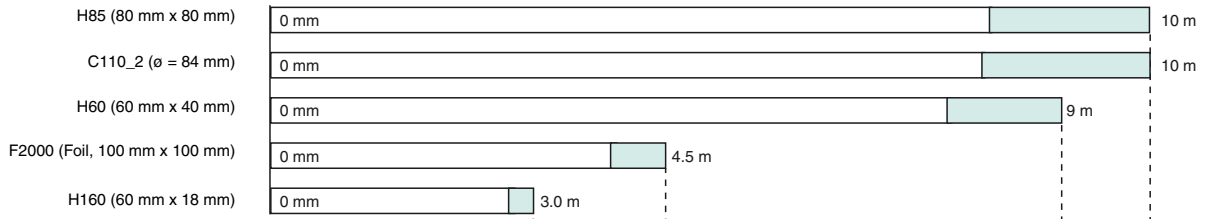
Protection degree	IP65
Connection	terminal compartment
Material	
Housing	GF17
Optical face	glass
Mass	115 g

Curves / Diagrams

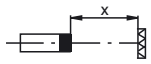
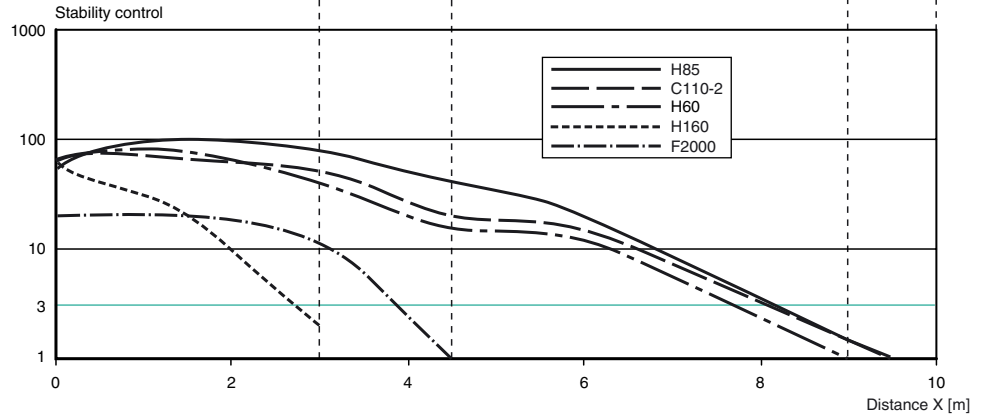
RL(K)24-54

Relative received light strength

Reflector type:



- Stability control > 3
- Stability control < 3



Release date: 2009-08-18 16:38 Date of issue: 2009-08-18 T2175_ENG.xml